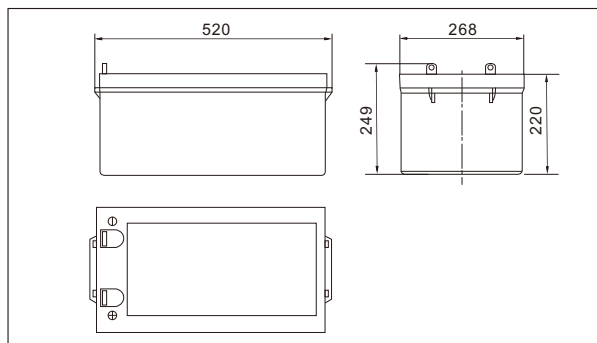




# SW122300E(12V230AH)



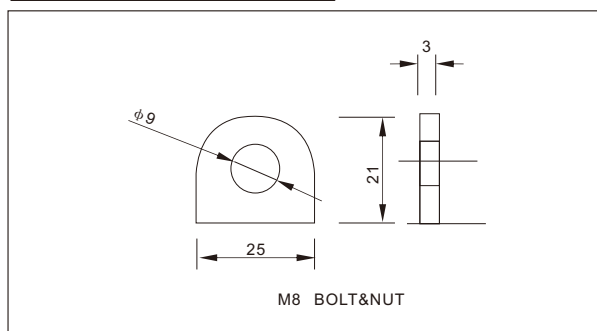
## Outer dimensions (mm)



## Specifications

Nominal Voltage		12V
Rated capacity (10 hour rate)		230 Ah
Dimensions	Total Height	249 mm (9.80inches)
	Height	220 mm (8.66 inches)
	Length	520 mm (20.47 inches)
	Width	268 mm (10.55 inches)
Weight Approx		66 Kg (145.5lbs)

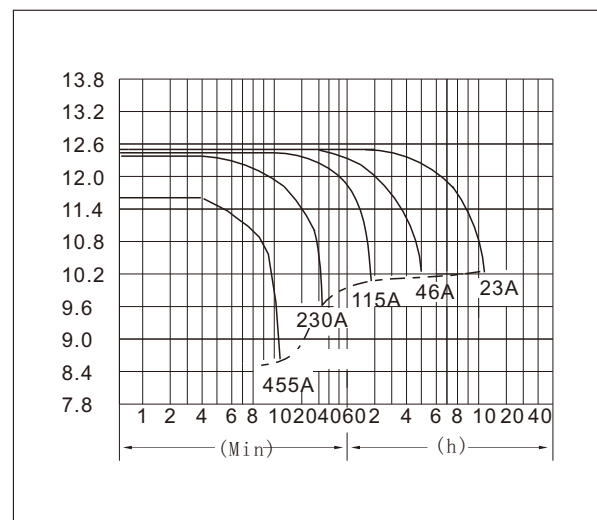
## Terminal Type (mm)



## Characteristics

Capacity 25°C(77°F)	10 hour rate(23.0 A)	230 AH
	5 hour rate(36.8 A)	180AH
	1 hour rate(126.5 A)	126.5 AH
	1.5 hour discharge to 10.5V	92 A
Internal Resistance	Full charged Battery at 25°C(77°F)	5 mΩ
Capacity affected by Temperature (10hour rate)	40°C(104°F)	102%
	25°C(77°F)	100%
	0°C(32°F)	85%
	-15°C(5°F)	65%
Self-Discharge at 25°C(77°F)	Capacity after 3 month storage	91%
	Capacity after 6 month storage	82%
	Capacity after 12 month storage	64%
Terminal	T11, T19	
Charge (constant Voltage)	Cycle	Initial Charging Current less than 57.5 A Voltage 14.10-14.40V
	Float	Voltage 13.50-13.80V

## Discharge Curves 25°C(77°F)



Constant Current(Amp) and Constant Power(Watt) Discharge Table at 25°C(72°F)

Time		10min	30min	1h	2h	3h	4h	5h	8h	10h	20h
9.60V	A	455.4	250.7	136.9	79.6	59.3	46.0	38.0	26.6	25.3	13.1
	W	4827	2670	1464	859	647	506	418.5	295.7	280.8	146.8
10.20V	A	432.4	248.4	128.8	75.9	57.5	44.9	37.3	26.2	23.8	12.9
	W	4756	2745	1430	850	650	509	423	297	270	146
10.50V	A	409.4	232.3	125.4	74.1	56.1	44.2	36.8	25.9	23.5	12.7
	W	4585	2613	1416	844	643	508	423	298	270	146
10.80V	A	386.4	213.9	120.8	72.2	54.7	43.5	35.9	25.2	23.0	12.6
	W	4386	2438	1383	834	635	506	418	294	268	146
11.10V	A	363.4	190.9	113.9	70.4	52.9	42.2	35.0	24.5	22.4	12.4
	W	4179	2205	1321	823	622	498	413	289	265	147