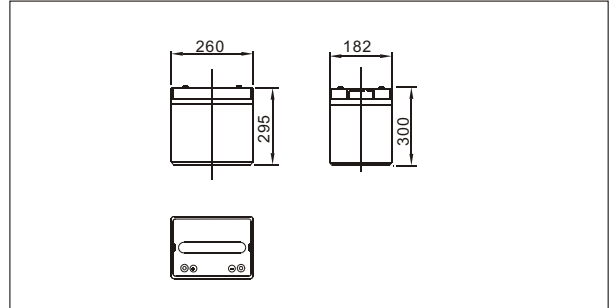




Sw81800(8V180AH)



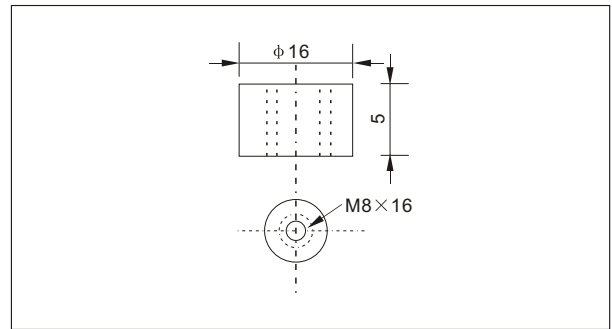
Outer dimensions (mm)



Specifications

Nominal Voltage		8V
Rated capacity (10 hour rate)		180 Ah
Dimensions	Total Height	300 mm (11.81 inches)
	Height	295 mm (11.61 inches)
	Length	260 mm (10.23 inches)
	Width	182mm (7.17 inches)
Weight Approx		38 Kg (83.6 lbs)

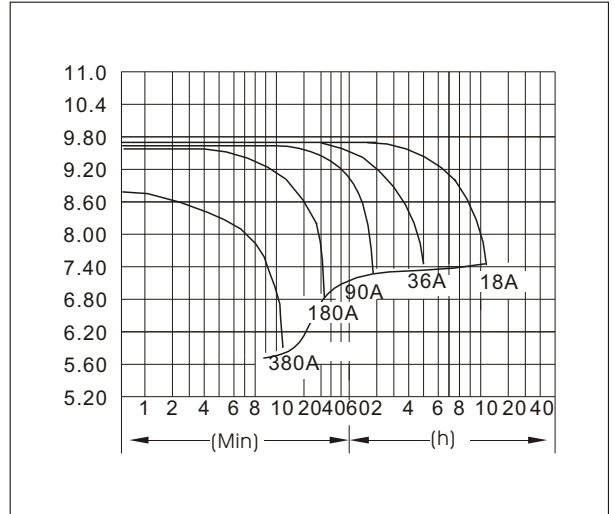
Terminal Type (mm)



Characteristics

Capacity 25°C(77°F)	10 hour rate(18.0A) 5 hour rate(28.8A) 1 hour rate(108A)	180 AH 144 AH 108 AH
Internal Resistance	Full charged Battery at 25°C(77°F)	Approx 2.0 mΩ
Capacity affected by Temperature (10hour rate)	40°C(104°F) 25°C(77°F) 0°C(32°F) -15°C(5°F)	102% 100% 85% 65%
Self-Discharge at 25°C(77°F)	Capacity after 3 month storage Capacity after 6 month storage Capacity after 12 month storage	91% 82% 64%
Terminal	T19	
Charge (constant Voltage)	Cycle	Initial Charging Current less than 72 A Voltage 9.40-9.60V
	Float	Voltage 9.00-9.20V

Discharge Curves 25°C(77°F)



Constant Current(Amp) and Constant Power(Watt) Discharge Table at 25°C(77°F)

Time		5min	10min	15min	30min	1h	2h	3h	4h	5h	8h	10h	20h
6.40V	A	577	380	306	205	108	63	46	36	30	21.1	18.9	10.2
	W	3967	2704	2189	1471	778	461	343	270	225	161	146	79
6.80V	A	558	343	288	196	102	60	45	35	29	20.5	18.5	9.9
	W	3976	2551	2151	1468	765	462	347	272	227	160	145	77
7.00V	A	540	307	252	184	98	59	44	35	29	20.3	18.2	9.9
	W	3933	2325	1919	1409	759	454	341	270	225	159	143	78
7.20V	A	521	289	234	169	95	57	43	34	28	19.8	18.0	9.7
	W	3894	2221	1800	1307	738	447	337	268	221	156	143	77
7.40V	A	503	271	216	151	92	56	41	33	27	19.3	17.1	9.2
	W	3803	2090	1679	1179	720	440	328	263	218	154	138	74