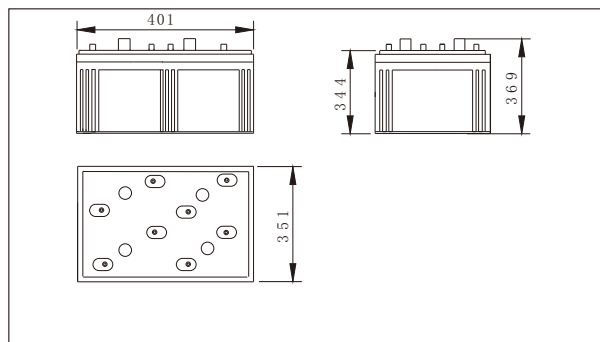




SW2125000(2V1250AH)



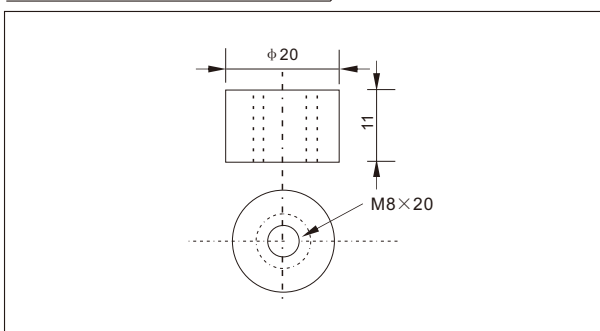
● Outer dimensions (mm)



● Specifications

Nominal Voltage		2 V
Rated capacity (10 hour rate)		1250 Ah
Dimensions	Total Height	369 mm (14.5 inches)
	Height	344 mm (13.5 inches)
	Length	401 mm (15.8 inches)
	Width	351 mm (13.8 inches)
Weight Approx		92Kg(202.9 lbs)

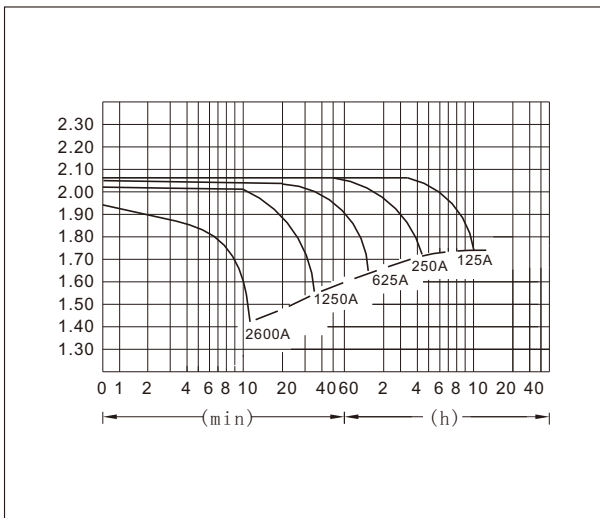
● Terminal Type (mm)



● Characteristics

Capacity 25°C(77°F)	10 hour rate(125 A)	1250 AH
	5 hour rate(200 A)	1000 AH
	1 hour rate(900 A)	750AH
	1.5 hour discharge to 1.75 V	500 A
Internal Resistance	Full charged Battery at 25°C(77°F)	0.5 mΩ
Capacity affected by Temperature (10hour rate)	40°C(104°F)	102%
	25°C(77°F)	100%
	0°C(32°F)	85%
	-15°C(5°F)	65%
Self-Discharge at 25°C(77°F)	Capacity after 3 month storage	91%
	Capacity after 6 month storage	82%
	Capacity after 12 month storage	64%
Terminal	T20	
Charge (constant Voltage)	Cycle	Initial Charging Current less than 312.5 A Voltage 2.35-2.40V
	Float	Voltage 2.25-2.30V

● Discharge Curves 25°C(77°F)



Time		10min	30min	1h	2h	3h	4h	5h	8h	10h	20h
		1.60V	A	2487.5	1425.0	750.0	437.5	322.5	250.0	210.52	144.8
	W	4888	2550	1450	850	625	487.5	400.0	275.0	256.3	136.1
1.70V	A	2362.5	1387.5	705.0	417.5	312.5	243.8	206.4	142.2	129.4	70.0
	W	4700	2525	1363	800	600	475.0	387.5	275.0	243.8	133.8
1.75V	A	2237.5	1275.0	687.5	407.5	305.0	240.0	204.5	140.6	127.5	69.1
	W	4550	2375	1313	788	588	462.5	382.5	271.3	241.3	131.3
1.80V	A	2112.5	1175.0	662.5	397.5	297.5	236.3	192.5	137.0	125.0	68.3
	W	4375	2288	1263	775	575	452.5	375.0	262.5	240.0	130.0
1.85V	A	1987.5	1050.0	625.0	387.5	287.5	229.2	188.8	133.3	121.9	67.5
	W	4125	2100	1225	763	575	443.8	372.5	251.3	237.5	128.1