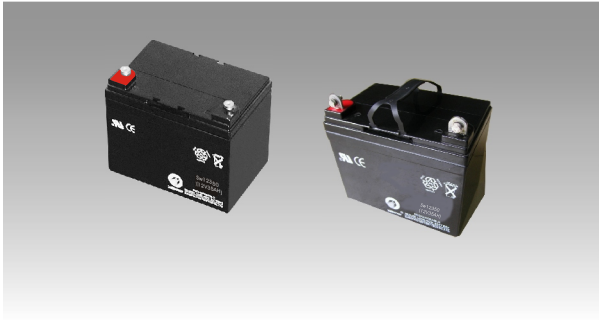
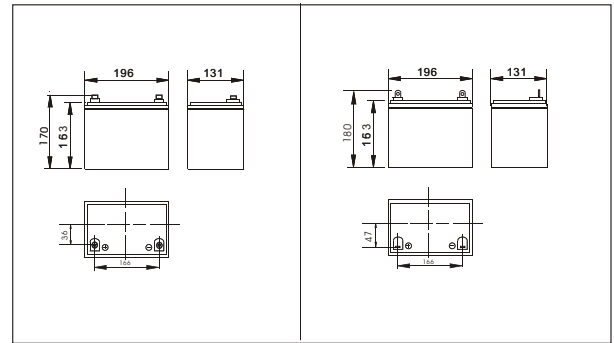




SW12350(12V35AH)



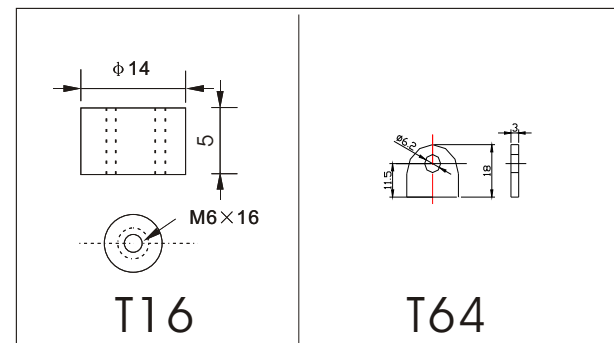
Outer dimensions (mm)



Specifications

Nominal Voltage		12V
Rated capacity (20 hour rate)		35 Ah
Dimensions	Total Height	170 mm (6.69 inches)
	Height	163mm (6.41 inches)
	Length	196 mm (7.70 inches)
	Width	131mm (5.16 inches)
Weight Approx		10.3Kg (22.66lbs)

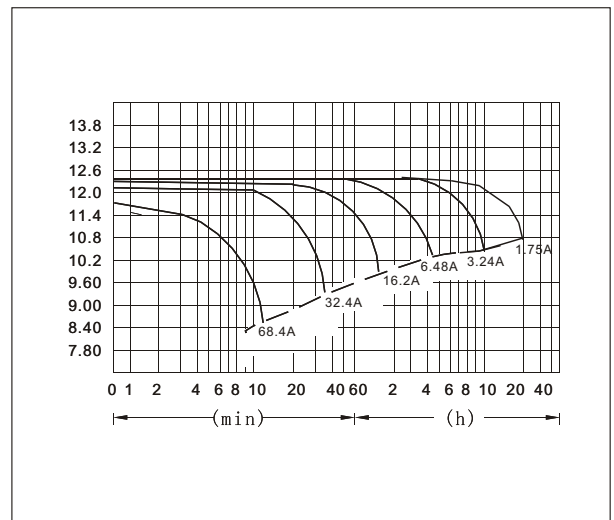
Terminal Type (mm)



Characteristics

Capacity 25°C(77°F)	20 hour rate(1.75 A) 5 hour rate(5.18 A) 1 hour rate(19.44 A)	35.0 AH 25.92 AH 19.44 AH
Internal Resistance	Full charged Battery at 25°C(77°F)	Approx 9.2 m Ω
Capacity affected by Temperature (10hour rate)	40°C(104°F) 25°C(77°F) 0°C(32°F) -15°C(5°F)	102% 100% 85% 65%
Self-Discharge at 25°C(77°F)	Capacity after 3 month storage Capacity after 6 month storage Capacity after 12 month storage	91% 82% 64%
Terminal	T64、T16	
Charge (constant Voltage)	Cycle	Initial Charging Current less than 12.88 A Voltage 14.10-14.40V
	Float	Voltage 13.50-13.80V

Discharge Curves 25°C(77°F)



Constant Current(Amp) and Constant Power(Watt) Discharge Table at 25°C(77°F)

Time		5min	10min	15min	30min	1h	2h	3h	4h	5h	8h	10h	20h
9.60V	A	104	68	55	37	19	11	8.33	6.48	5.35	3.79	3.40	1.84
	W	1071	730	591	397	210	125	92.68	72.90	60.78	43.44	39.29	21.36
10.20V	A	101	62	52	35	18	11	8.10	6.32	5.25	3.69	3.34	1.78
	W	1073	689	581	396	207	125	93.80	73.47	61.19	43.22	39.21	20.90
10.50V	A	97	55	45	33	18	11	7.91	6.22	5.18	3.66	3.27	1.78
	W	1062	628	518	380	205	123	92.12	72.78	60.78	43.06	38.72	21.06
10.80V	A	94	52	42	30	17	10	7.71	6.12	5.05	3.56	3.24	1.75
	W	1051	600	486	353	199	121	90.92	72.31	59.74	42.23	38.51	20.84
11.10V	A	91	49	39	27	17	10	7.45	5.96	4.92	3.47	3.08	1.65
	W	1027	564	453	318	194	119	88.53	71.00	58.77	41.52	37.16	20.03