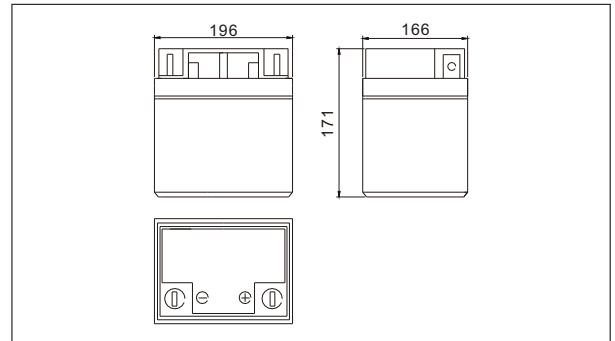




SW12450(12V45AH)



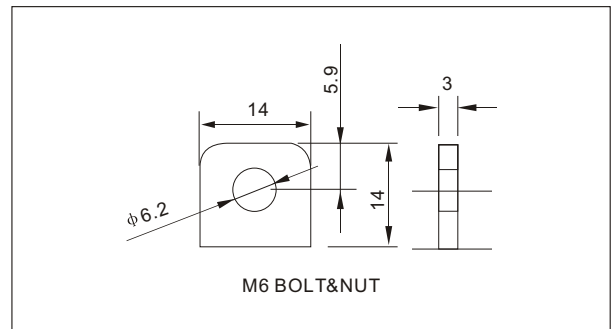
Outer dimensions (mm)



Specifications

Nominal Voltage	12V	
Rated capacity (10 hour rate)	45 Ah	
Dimensions	Total Height	171 mm (6.73 inches)
	Height	171 mm (6.73 inches)
	Length	196 mm (7.70 inches)
	Width	166mm (6.54 inches)
Weight Approx	13.5 Kg (29.7 lbs)	

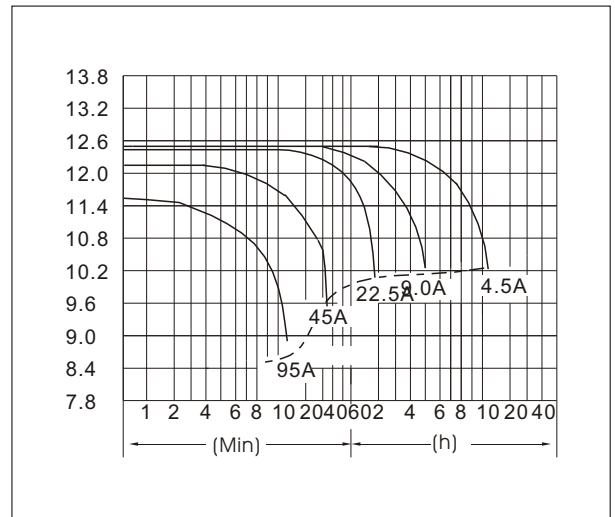
Terminal Type (mm)



Characteristics

Capacity 25°C(77°F)	20 hour rate(4.5A)	45.0 AH
	10 hour rate(7.2A)	42.0 AH
Capacity 25°C(77°F)	1 hour rate(27.0A)	27.0 AH
	1.5 hour discharge to 10.5V	18.0 A
Internal Resistance	Full charged Battery at 25°C(77°F)	9 mΩ
Capacity affected by Temperature (10hour rate)	40°C(104°F)	102%
	25°C(77°F)	100%
	0°C(32°F)	85%
	-15°C(5°F)	65%
Self-Discharge at 25°C(77°F)	Capacity after 3 month storage	91%
	Capacity after 6 month storage	82%
	Capacity after 12 month storage	64%
Terminal	T9	
Charge (constant Voltage)	Cycle	Initial Charging Current less than 18 A Voltage 14.10-14.40V
	Float	Voltage 13.50-13.80V

Discharge Curves 25°C(77°F)



Constant Current(Amp) and Constant Power(Watt) Discharge Table at 25°C(77°F)

Time		10min	30min	1h	2h	3h	4h	5h	8h	10h	20h
9.60V	A	95	51	27	16	11.6	9.0	7.4	5.2	4.7	2.55
	W	1054	550	313	182	134	104	86	61	55	29.5
10.20V	A	92	50	25.4	15.0	11.3	8.8	7.3	5.1	4.6	2.49
	W	1014	544	294	174	130	102	84	59	53	28.8
10.50V	A	88	48	25	14.7	11.0	8.6	7.2	5.1	4.5	2.46
	W	983	514	285	170	127	100	83	59	53	28.5
10.80V	A	82	46	24	14.3	10.7	8.5	7.0	5.0	4.4	2.43
	W	945	495	272	167	125	98	82	58	52	28.3
11.10V	A	76	42	22	14.0	10.4	8.2	6.8	4.8	4.28	2.31
	W	928	491	265	166	123	97	81	57	51	27.5