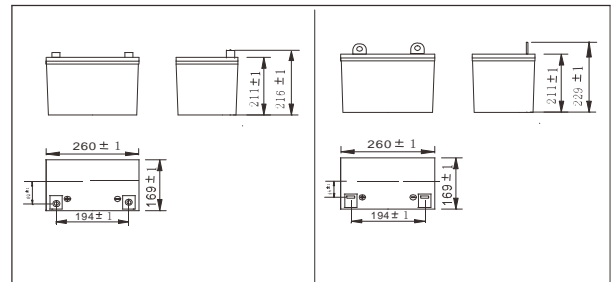




SW12750(12V75AH)



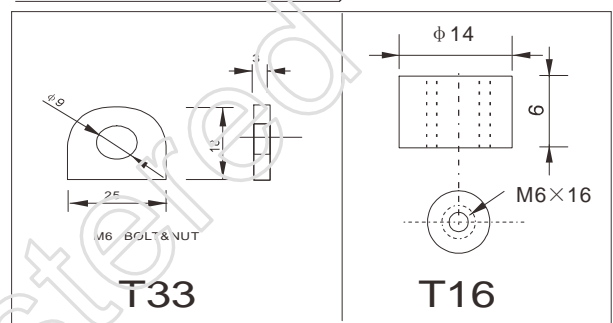
Outer dimensions (mm)



Specifications

Nominal Voltage		12V
Rated capacity (10 hour rate)		75 Ah
Dimensions	Total Height	T33 229 mm (9.02 inches)
		T16 216 mm (8.50 inches)
	Height	211 mm (8.30 inches)
	Length	260 mm (10.2 inches)
Width		169mm (6.65 inches)
Weight Approx		22.5Kg (49.6 lbs)

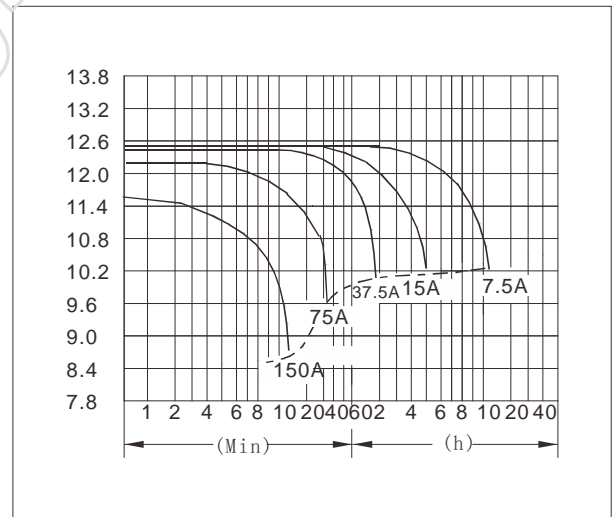
Terminal Type (mm)



Characteristics

Capacity 25°C(77°F)	10 hour rate(7.5 A)	75 AH
	5 hour rate(12.0 A)	60 AH
	1 hour rate(45.0 A)	45 AH
	1.5 hour discharge to 10.5V	30 A
Internal Resistance	Full charged Battery at 25°C(77°F)	7 mΩ
Capacity affected by Temperature (10hour rate)	40°C(104°F)	102%
	25°C(77°F)	100%
	0°C(32°F)	85%
	-15°C(5°F)	65%
Self-Discharge at 25°C(77°F)	Capacity after 3 month storage	91%
	Capacity after 6 month storage	82%
	Capacity after 12 month storage	64%
Terminal		T33、T16
Charge (constant Voltage)	Cycle	Initial Charging Current less than 18.8 A Voltage 14.10-14.40V
	Float	Voltage 13.50-13.80V

Discharge Curves 25°C(77°F)



Constant Current(Amp) and Constant Power(Watt) Discharge Table at 25°C(72°F)

Time		10min	30min	1h	2h	3h	4h	5h	8h	10h	20h
9.60V	A	150.0	82.5	45.0	26.3	19.5	15.8	13.4	8.7	8.3	4.3
	W	1590	879	482	284	213	173	146.9	96.4	91.6	47.9
10.20V	A	142.5	81.8	42.3	25.1	19.1	15.4	13.1	8.5	7.8	4.2
	W	1568	903	470	281	216	175	148	97	88	48
10.50V	A	135.0	76.5	41.3	24.5	18.8	15.0	12.8	8.4	7.7	4.1
	W	1512	861	466	279	215	173	147	97	88	48
10.80V	A	127.5	70.5	39.8	23.9	18.4	14.6	11.4	8.2	7.5	4.1
	W	1447	804	455	275	213	170	133	96	87	48
11.10V	A	120.0	63.0	37.5	23.3	17.6	14.3	10.9	8.0	7.3	4.1
	W	1380	728	435	272	207	168	128	94	86	48