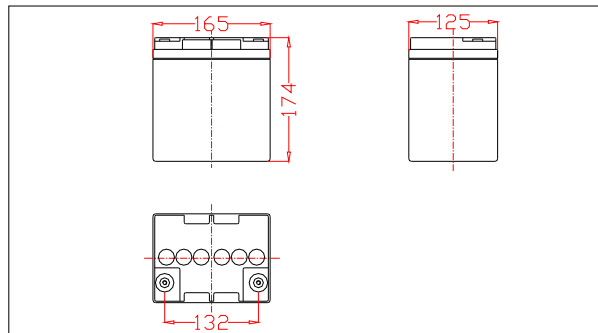




SW12260(12V26AH)



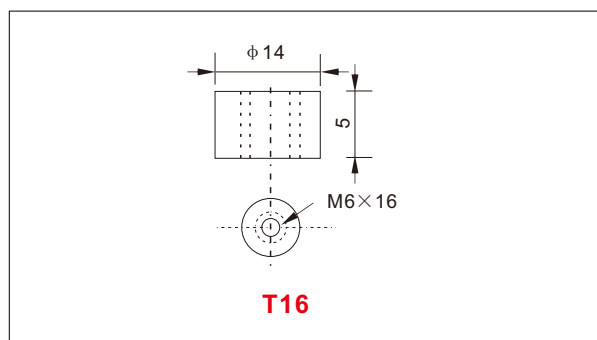
● Outer dimensions (mm)



● Specifications

| | | |
|-------------------------------|--------------|----------------------|
| Nominal Voltage | | 12V |
| Rated capacity (20 hour rate) | | 26 Ah |
| Dimensions | Total Height | 175 mm (6.89 inches) |
| | Height | 175 mm (6.89 inches) |
| | Length | 165 mm (6.5 inches) |
| | Width | 125 mm (4.92 inches) |
| Weight Approx | | 7.5Kg (16.5 lbs) |

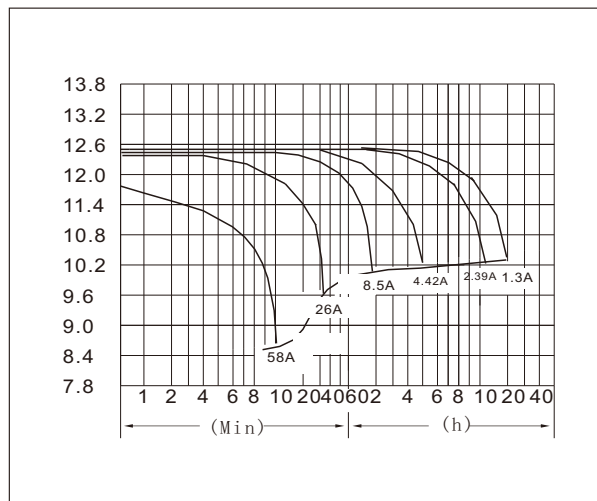
● Terminal Type (mm)



● Characteristics

| | | |
|--|---|--|
| Capacity 25°C(77°F) | 20 hour rate(1.3 A) 5 hour rate(4.42A) 1 hour rate(16.9 A) | 26.0 AH 22.1AH 16.9 AH |
| Internal Resistance | Full charged Battery at 25°C(77°F) | Approx 12 m Ω |
| Capacity affected by Temperature (10hour rate) | 40°C(104°F) 25°C(77°F) 0°C(32°F) -15°C(5°F) | 102% 100% 85% 65% |
| Self-Discharge at 25°C(77°F) | Capacity after 3 month storage Capacity after 6 month storage Capacity after 12 month storage | 91% 82% 64% |
| Terminal | T16 | |
| Charge (constant Voltage) | Cycle | Initial Charging Current less than 6.5 A Voltage 14.10-14.40V |
| | Float | Voltage 13.50-13.80V |

● Discharge Curves 25°C(77°F)



| Time | | 5min | 10min | 15min | 30min | 1h | 2h | 3h | 4h | 5h | 8h | 10h | 20h |
|--------|---|--------|--------|--------|--------|--------|-------|-------|-------|-------|-------|-------|-------|
| 9.60V | A | 93.60 | 58.66 | 45.50 | 29.90 | 16.90 | 9.10 | 6.76 | 5.37 | 4.56 | 3.01 | 2.47 | 1.34 |
| | W | 992.16 | 639.38 | 486.85 | 322.92 | 184.21 | 99.19 | 75.71 | 59.11 | 51.08 | 34.03 | 27.42 | 15.05 |
| 10.20V | A | 85.80 | 57.42 | 41.82 | 28.38 | 16.12 | 8.73 | 6.63 | 5.20 | 4.47 | 2.96 | 2.42 | 1.31 |
| | W | 948.09 | 631.58 | 466.26 | 319.31 | 181.35 | 98.67 | 74.92 | 59.02 | 51.01 | 33.79 | 27.42 | 14.88 |
| 10.50V | A | 79.57 | 54.86 | 39.00 | 27.52 | 15.60 | 8.56 | 6.50 | 4.94 | 4.42 | 2.93 | 2.39 | 1.30 |
| | W | 891.19 | 617.18 | 440.70 | 313.69 | 177.84 | 97.99 | 74.43 | 56.81 | 50.83 | 33.64 | 27.27 | 14.82 |
| 10.80V | A | 72.45 | 52.43 | 36.40 | 26.26 | 15.08 | 8.34 | 6.37 | 4.85 | 4.23 | 2.85 | 2.33 | 1.27 |
| | W | 822.35 | 597.74 | 416.78 | 303.30 | 174.17 | 96.35 | 73.89 | 56.54 | 49.22 | 33.19 | 27.13 | 14.77 |
| 11.10V | A | 65.00 | 49.40 | 33.80 | 24.44 | 14.30 | 8.13 | 6.11 | 4.77 | 4.04 | 2.77 | 2.28 | 1.24 |
| | W | 747.50 | 570.57 | 392.08 | 285.95 | 167.31 | 95.06 | 71.79 | 56.25 | 47.68 | 32.73 | 26.85 | 14.57 |